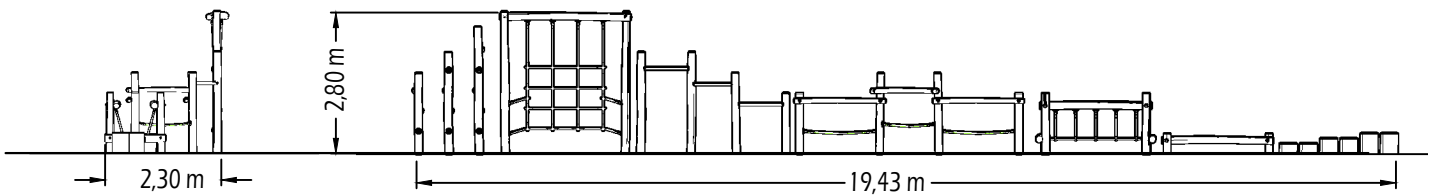
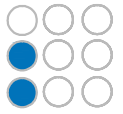


Motor inclusion
Sensory inclusion
Mental inclusion



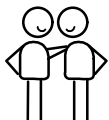
Play Value 17

Climbing



X1

Meeting



X3

Balancing



X6

Climbing



X1

Crossing



X5

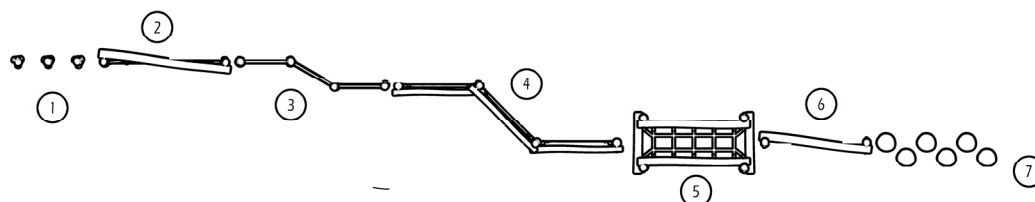
Hanging



X1

Components

- ① Climbing pasts
- ② Vertical net
- ③ Horizontal bars
- ④ Rope walk way
- ⑤ Swinging log steps
- ⑥ Balancing beam
- ⑦ Japanese steps



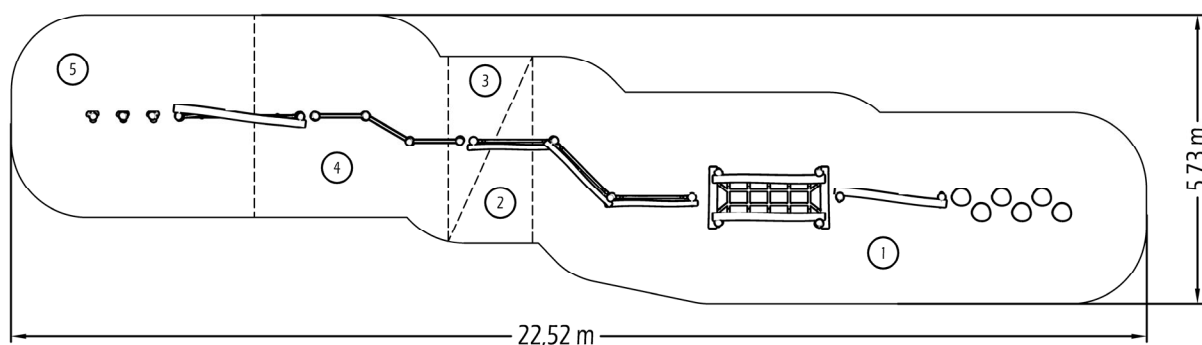
Installation of equipment

IMPORTANT: It is essential to refer to the installation instructions for information on the size of the safety areas.

- Impact area (minimum normative surface)
- - - - - Free space



1	0,60m	47,50m ²
2	1,00m	3m ²
3	1,40m	18,5m ²
4	1,70m	6,00m ²
5	2,10m	16,5m ²



2



7h00



1,28m³



87,50m²



1047kg



400 kg



✓

EN

1176